



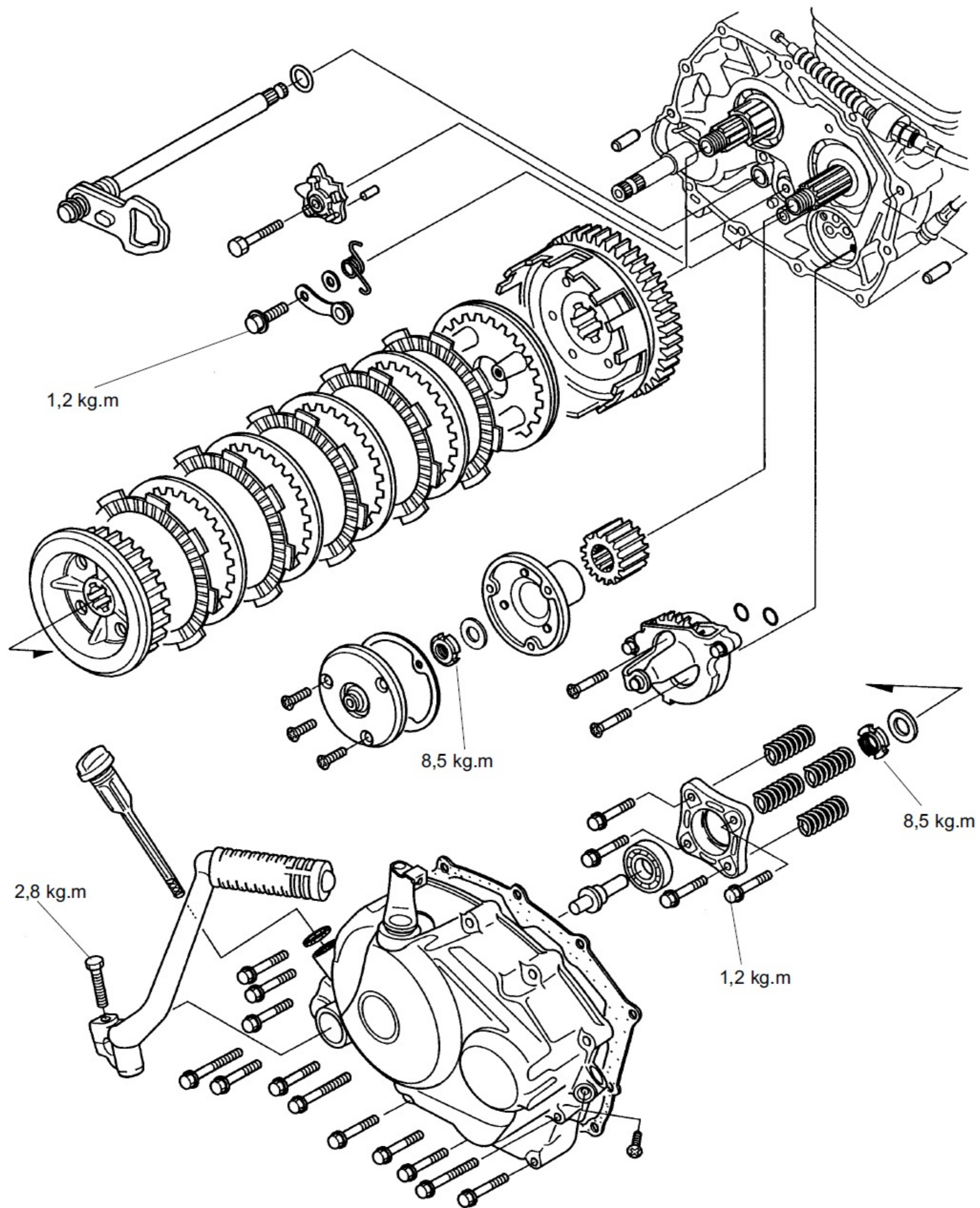
Download from
Dreamstime.com

This watermarked comp image is for previewing purposes only.

ID 2468711

© Milan Surkala | Dreamstime.com

[Manual Book Honda Verza 150](#)



[Manual Book Honda Verza 150](#)



Download from
Dreamstime.com

This watermarked comp image is for previewing purposes only.

ID 2468711

© Milan Surkala | Dreamstime.com

2019 Hero Xpulse 200T and Hero Xpulse 200 launched in India. Hero Xpulse is the direct successor to the ...

buku manual honda verza

buku manual honda verza, cara reset manual honda verza, reset manual honda verza, manual book honda verza, honda cb150 verza manual, cara reset manual ecu honda verza, manual book honda verza pdf

reset manual honda verza

honda cb150 verza manual

1dff872ebc